

# McIntosh

## MAC 4100

### AM/FM RECEIVER

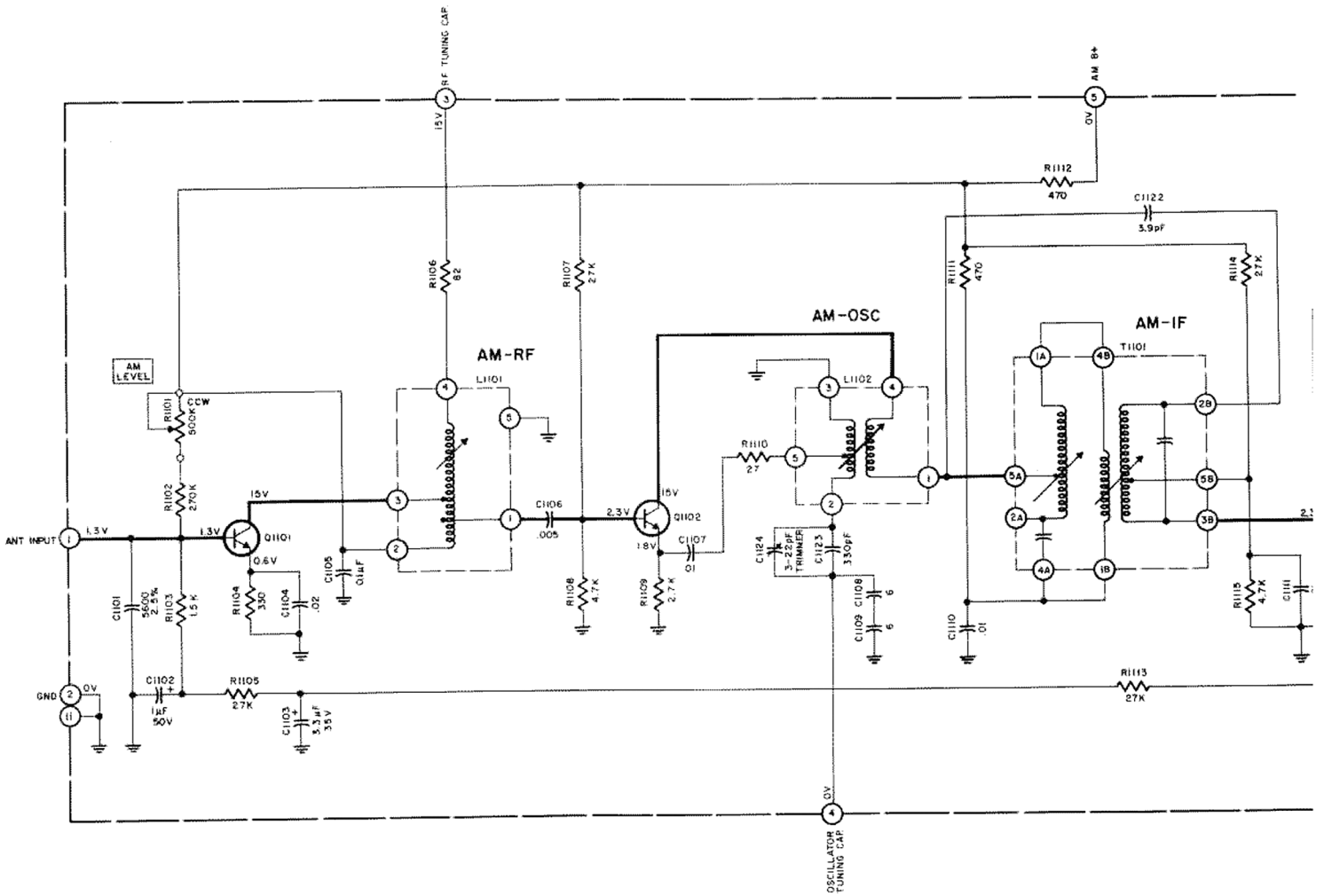
## SERVICE INFORMATION

SERIAL NO. BY3001 AND ABOVE

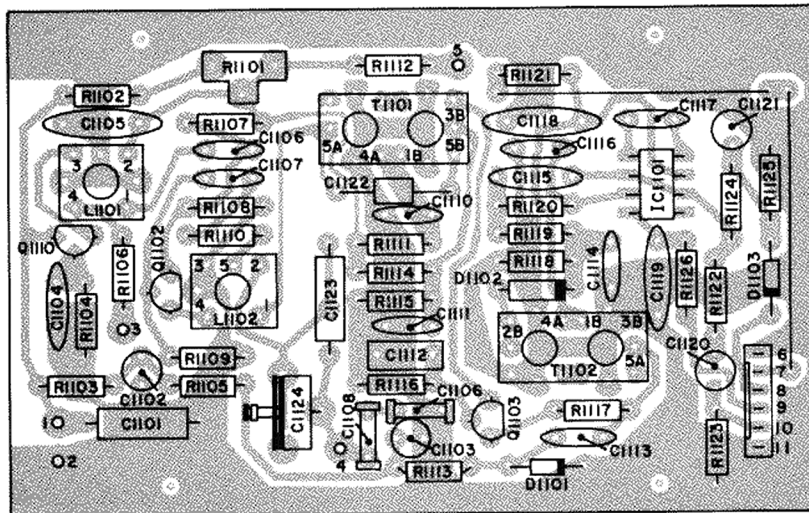
ADDENDUM: STARTING WITH SERIAL #BY 3001 AND ABOVE, PLEASE REFER TO AM-FM FRONT END P.C. BOARD ASSEMBLY #059020, AM P.C. BOARD #045458 AND THE INTER CONNECT DIAGRAM; ALL OF WHICH ARE LOCATED IN THIS FOLD OUT.

IN McINTOSH MAC 4100 SERIAL #BY 1001 TO BY 2990, REFER TO SERVICE MANUAL.

McINTOSH LABORATORY INC. BINGHAMTON, NEW YORK 13903

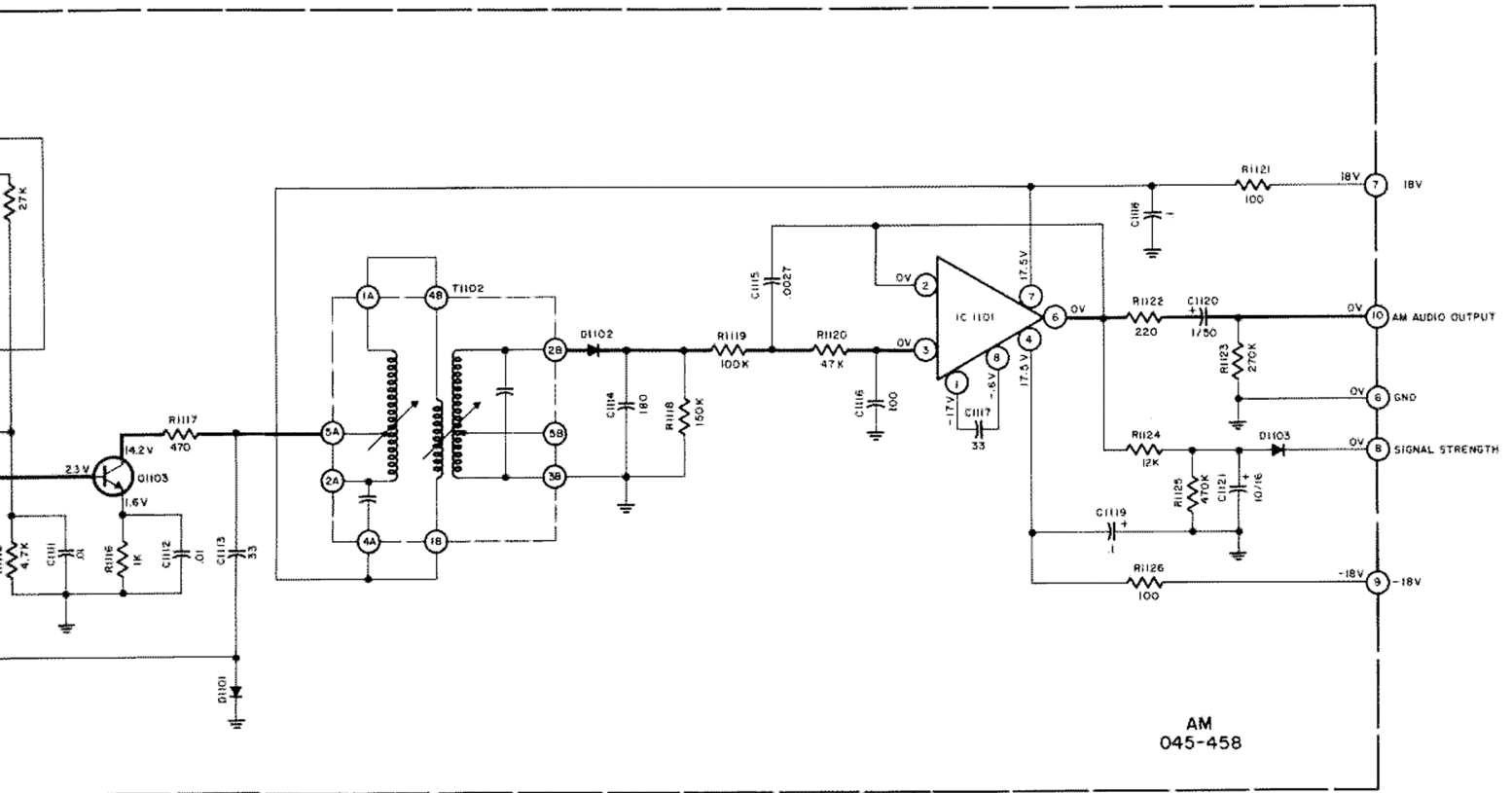


AM PC  
045

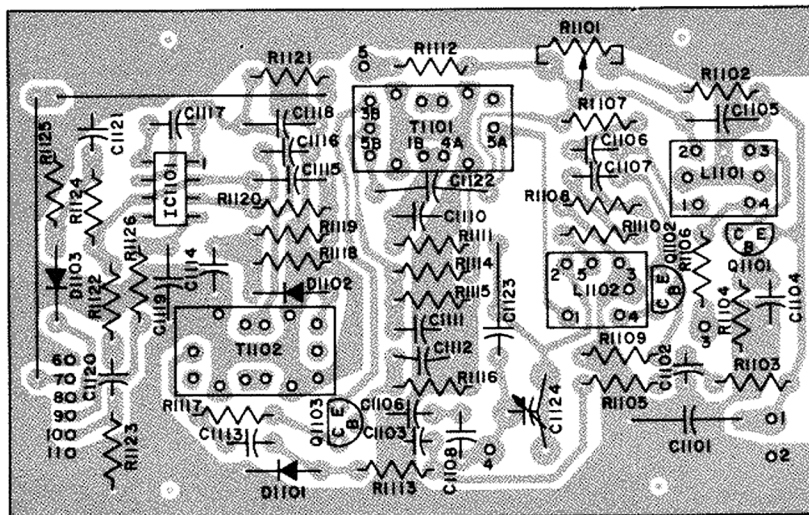


AM PC BOARD  
045458

COMPONENT SIDE



PC BOARD  
045458

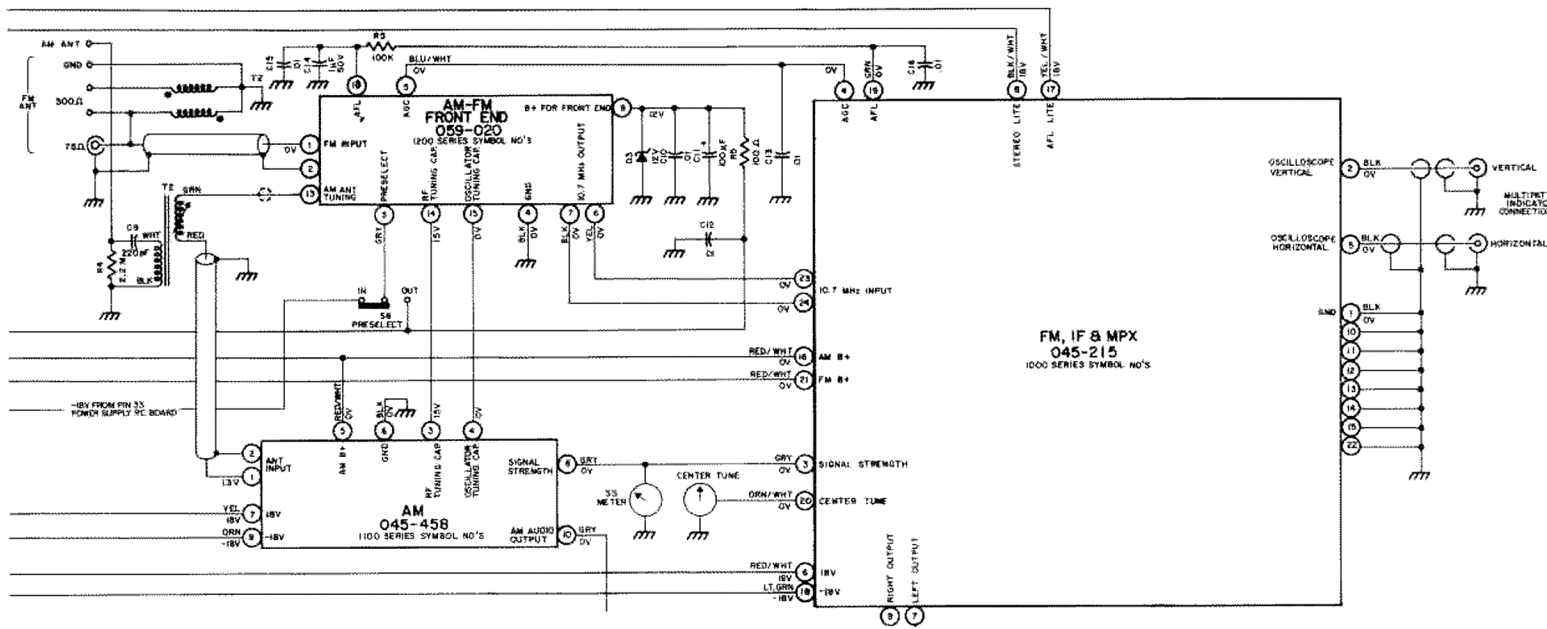


AM PC BOARD  
045458

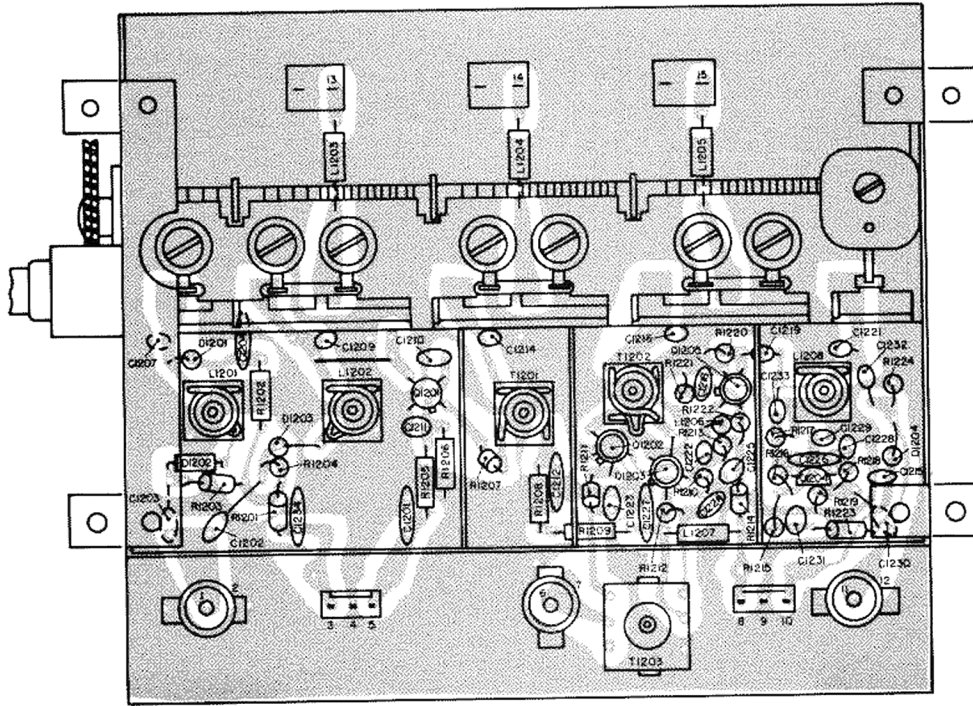
CIRCUIT SIDE

MAC4100

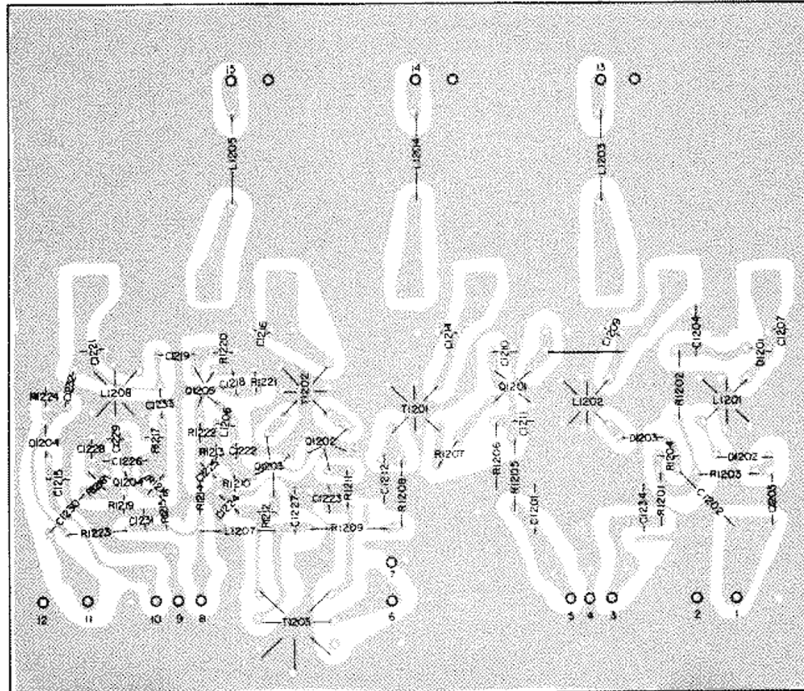
AM-FM FRONT END



## INTERCONNECT



AM-FM FRONT END PC BOARD  
059-020  
COMPONENT SIDE

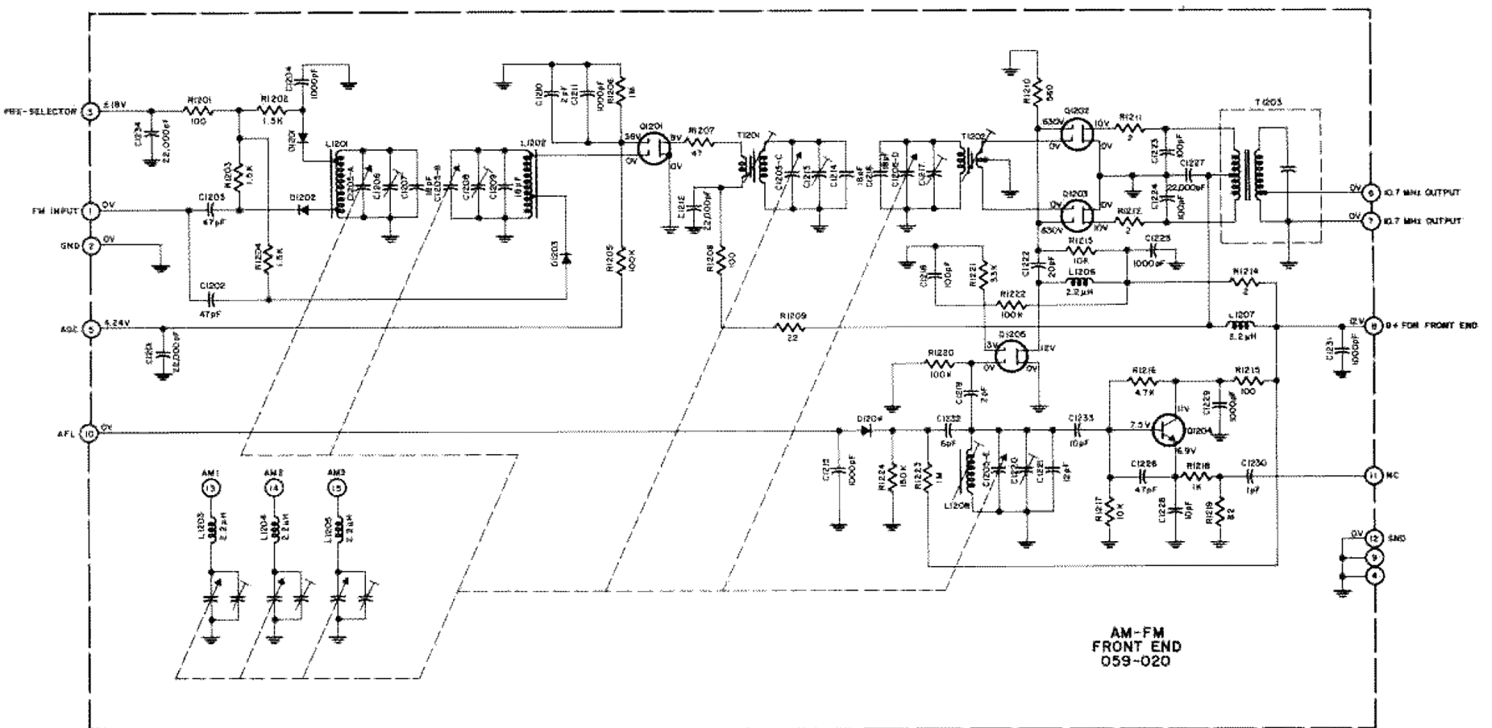


AM-FM FRONT END PC BOARD  
059-020  
CIRCUIT SIDE



MAC4100

AM-FM FRONT END



AM-FM FRONT END PC BOARD  
059-020